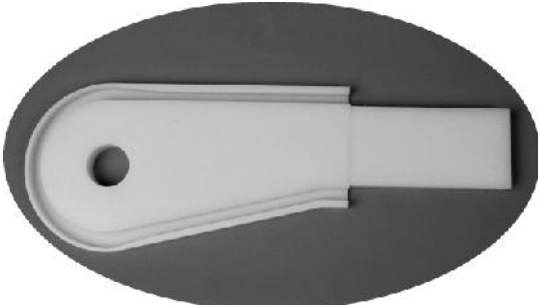
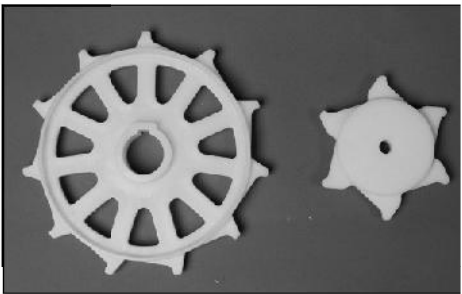
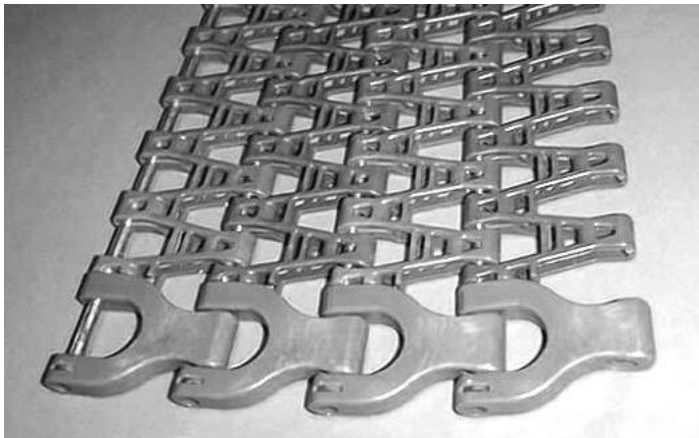


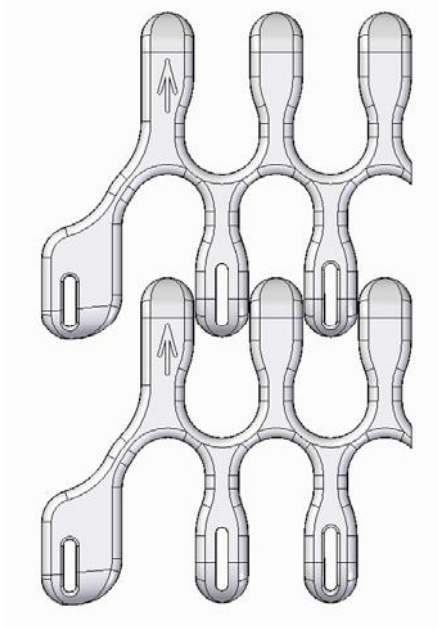
7. S. 50 Radius Belt

SCANBELT A/S

Pitch 50 mm.



S. 201

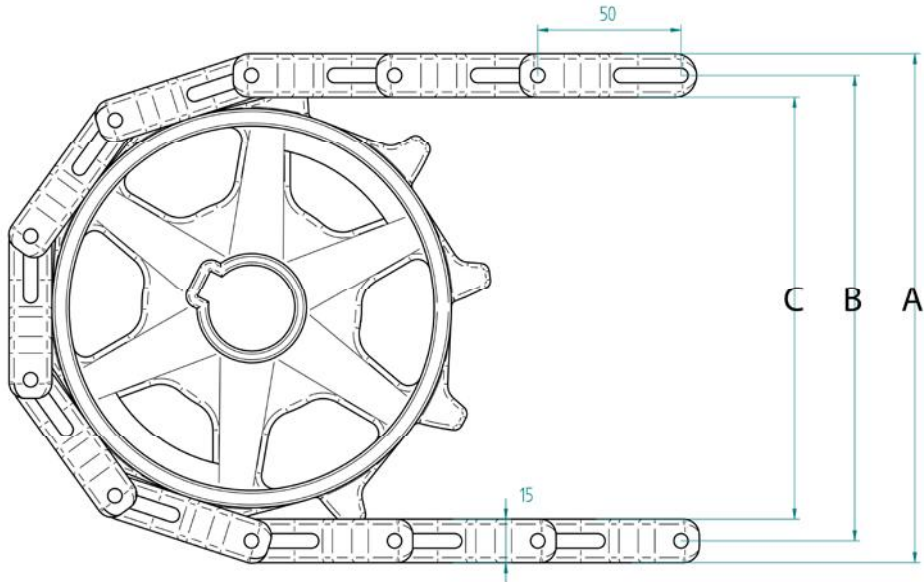


Belt data.			
Belt material	Rods	Max. belt pull (kg).	Belt weight (kg/m ²).
Polyacetal (POM)	PP	205	8
	Nylon	305	8
Polypropylene (PP)	PP	Please contact ScanBelt	
	Nylon		

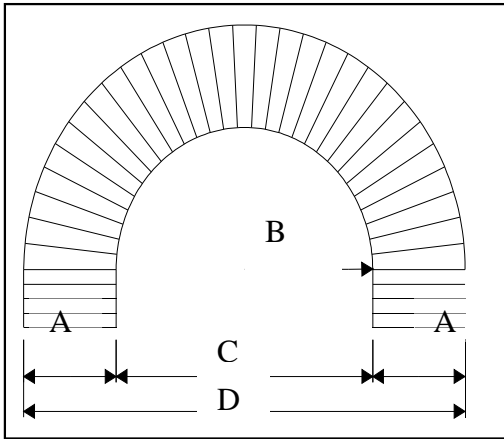
Belt surface: Smooth.
Open area: 47 %
Strength: Ideal for heavy duty spirals and curves.
Material/colour: POM, PP
Cleanability: Good
Accessories:
Application: Spiral coolers, radius conveyors.
Construction: Side modules, centre modules.
Width interval: Normally 20 mm. E.g: 210 mm, 230 mm etc.
Inner radius: Please see next page.

Protected by the EU Design Registration

Sprocket Data								
No. of teeth	A= Outside diameter	B= Pitch-diameter	C= Inside-diameter	Hub width:	Round bore		Square bore	
					mm	in.	mm	in.
10	177	162	147	35	25/30/40/50/60	1/1¼	25/40/60	1½/2½



S. 201 - 50 mm. Radius belt dimensions

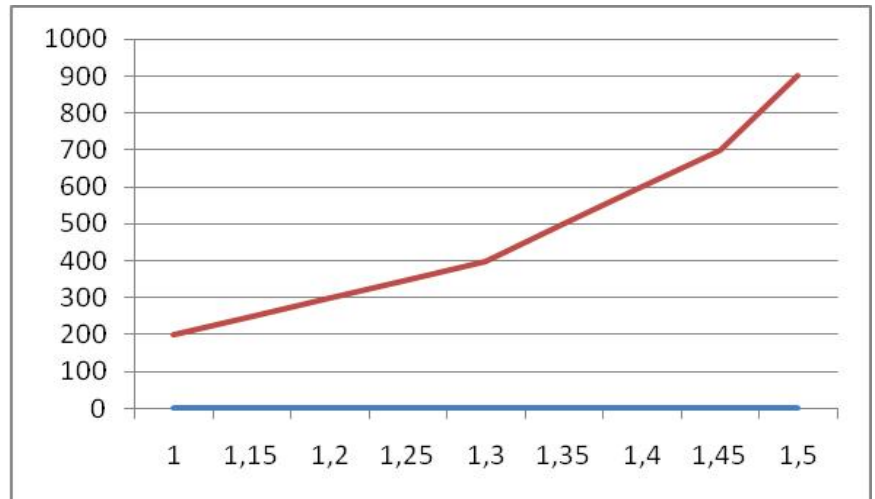


A = Standard belt width
B = Inner radius
C = Inner diameter
D = Outer diameter

A	107	210	292	394	497	600	702	805	907	1011
B	148	240	355	505	670	855	1040	1210	1360	1540
C	296	480	710	1010	1340	1710	2080	2420	2720	3080
D	510	900	1294	1798	2334	2910	3484	4030	4534	5102

S-201

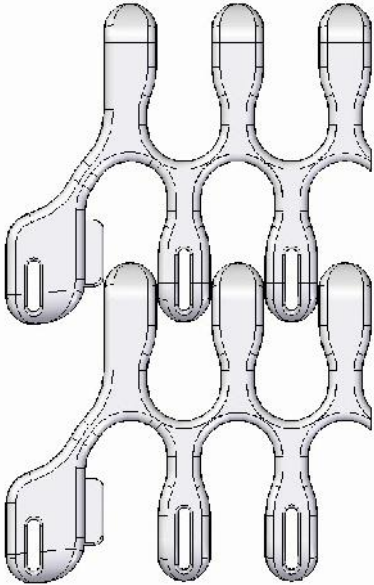
Standard width – Radius belts			
Belt width.	Min.inner radius.	Belt width.	Min.inner radius
107	148	600	855
128	155	620	890
148	160	641	925
169	180	662	960
189	205	682	1000
210	235	702	1040
230	265	723	1085
251	295	744	1120
271	325	764	1150
292	355	785	1180
312	385	805	1210
333	415	826	1240
353	445	846	1270
374	475	867	1301
394	505	887	1331
414	535	907	1360
435	565	928	1400
455	595	949	1435
477	635	970	1475
497	670	990	1505
518	705	1011	1540
538	740		
559	785		
579	820		



$$\text{Collapse factor} = \frac{\text{min. inner radius}}{\text{belt width}}$$

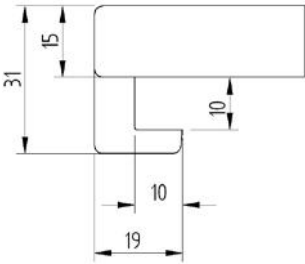
$$\text{Min. inner radius} = \text{collapse factor} \times \text{belt width.}$$

S. 201Hook



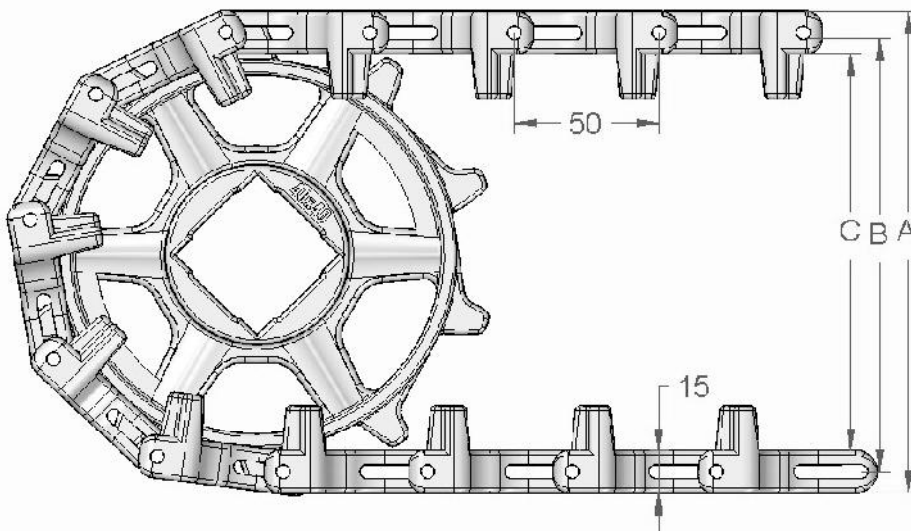
Belt data.			
Belt material	Rods	Max. belt pull (kg).	Belt weight (kg/m ²).
Polyacetal (POM)	PP	205	8
	Nylon	305	8
Polypropylene (PP)	PP	Please contact ScanBelt	
	Nylon		

- Belt surface: Smooth.
- Open area: 47 %
- Strength: Ideal for heavy duty spirals and curves.
- Material/colour: POM, PP
- Cleanability: Good
- Accessories:
- Application: Spiral coolers, radius conveyors.
- Construction: Side modules, centre modules.
- Width interval: Normally 20 mm. E.g: 210 mm, 230 mm etc.
- Inner radius: Please see next page.
- Hooks: Turned inside
- Distance between Hooks: Belt width less 17mm.

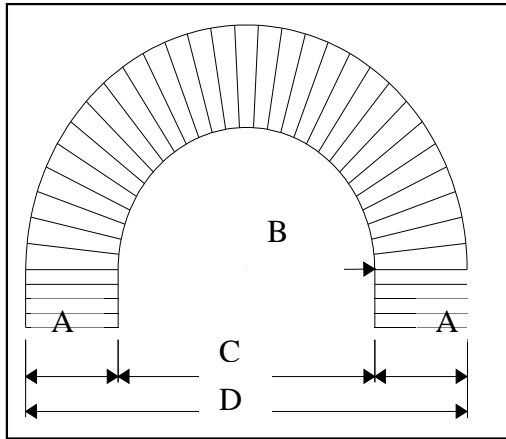


Protected by the EU Design Registration

Sprocket Data								
No. of teeth	A= Outside diameter	B= Pitch-diameter	C= Inside-diameter	Hub width:	Round bore		Square bore	
					mm	in.	mm	in.
10	169	154	139	35	25/30/40/50/60	1/1¼	25/40/60	1½/2½



S. 201Hook - 50 mm. Radius belt dimensions



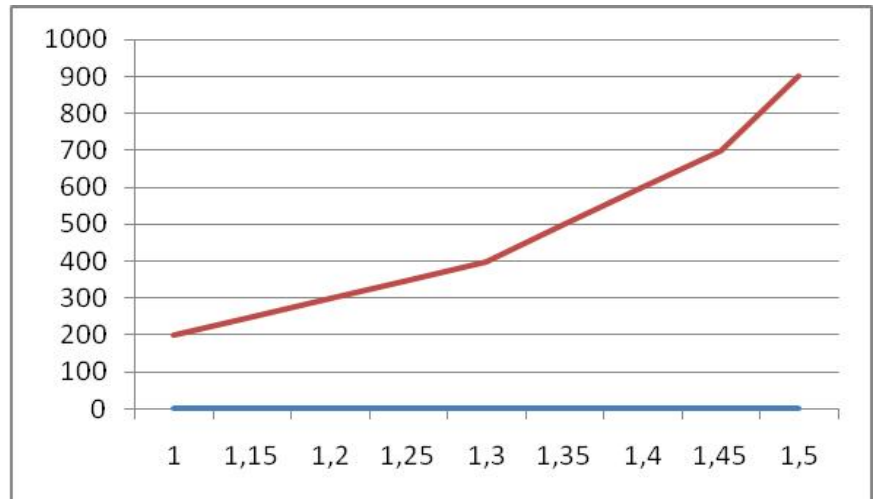
A = Standard belt width
B = Inner radius
C = Inner diameter
D = Outer diameter

A	107	210	292	394	497	600	702	805	907	1011
B	148	240	355	505	670	855	1040	1210	1360	1540
C	296	480	710	1010	1340	1710	2080	2420	2720	3080
D	510	900	1294	1798	2334	2910	3484	4030	4534	5102

S-201Hook

Standard width – Radius belts

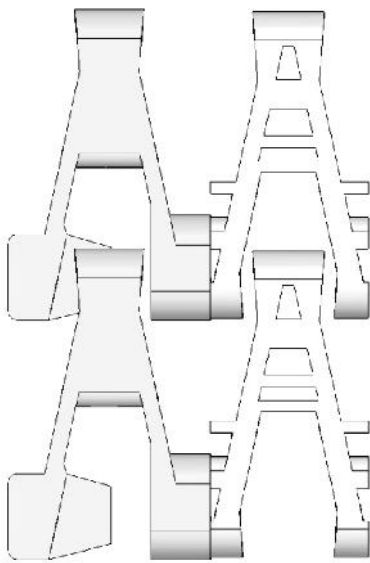
Belt width.	Min.inner radius.	Belt width.	Min.inner radius
107	148	600	855
128	155	620	890
148	160	641	925
169	180	662	960
189	205	682	1000
210	240	702	1040
230	265	723	1085
251	295	744	1120
271	325	764	1150
292	355	785	1180
312	385	805	1210
333	415	826	1240
353	445	846	1270
374	475	867	1301
394	505	887	1331
414	535	907	1360
435	565	928	1400
455	595	949	1435
477	635	970	1475
497	670	990	1505
518	705	1011	1540
538	740		
559	785		
579	820		



$$\text{Collapse factor} = \frac{\text{min. inner radius}}{\text{belt width}}$$

$$\text{Min. inner radius} = \text{collapse factor} \times \text{belt width.}$$

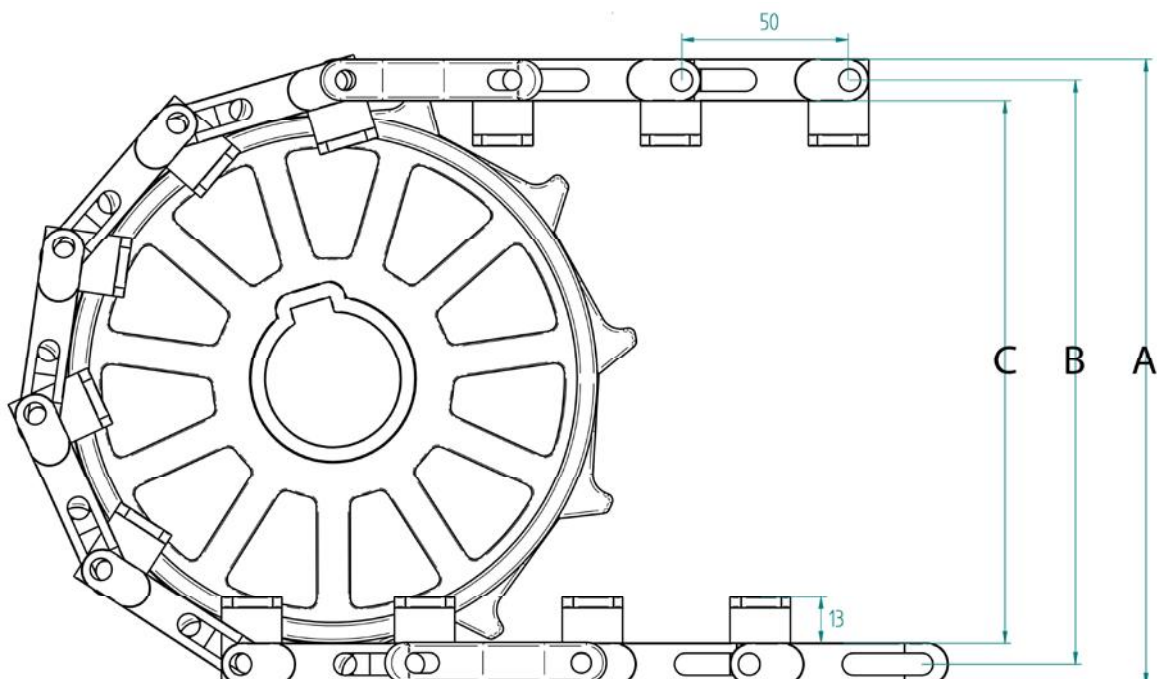
S. 250



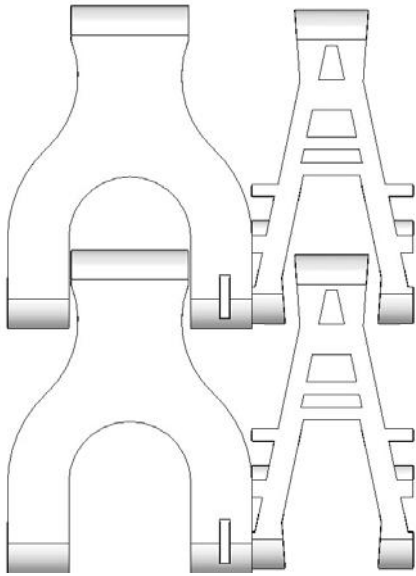
Belt data		
Materials	Max. belt pull kg	Belt weight kg/m ²
Polyacetal (POM)	250	9
Polypropylene (PP)	140	7,5

Belt surface: Smooth.
Open area: 67 %
Strength: The right belt for heavy transportation.
Material/colour: POM, PP
Cleanability: Good
Accessories: 3 mm flight buds made in friction material or POM/PP. 25 mm side guards. Steel reinforcements.
Application: Spiral coolers, radius conveyors.
Construction: 43 mm side modules, 200 mm centre modules.
Width interval: Normally 33 mm. E.g: 119 mm, 152 mm etc.
 Contact Scanbelt.

Sprocket Data								
No. of teeth	A= Outside diameter	B= Pitch-diameter	C= Inside-diameter	Hub width:	Round bore		Square bore	
					mm	in.	mm	in.
11	186	174	162	22	30/40/45		40	
11 STEEL	186	174	162	22	FLEX			



J. 450



Belt data		
Material	Max. belt pull kg	Belt weight kg/m ²
Polyacetal (POM)	450	9
Polypropylene (PP)	200	7,5

Belt surface: Smooth.
Open area: 67 %
Strength: The right belt for heavy transportation.
Material/colour: POM
Cleanability: Good.
Accessories: 3 mm flight buds made in friction material or POM. 5 and 25 mm side guards.
Application: Spiral coolers, radius conveyors.
 It only runs in J-curves.
Construction: 47/50 mm side modules, 200 mm centre modules.
Width interval: Normally 33 mm. E.g: 95 mm, 128 mm, 162 mm etc.

Registered Trademark ®

Contact Scanbelt.

Sprocket Data								
No. of teeth	A= Outside diameter	B= Pitch-diameter	C= Inside-diameter	Hub width:	Round bore		Square bore	
					mm	in.	mm	in.
6	116	104	92	22	FLEX			
11	189	177	166	22	30/40/45		40	
11 STEEL	189	177	166	22	FLEX			

