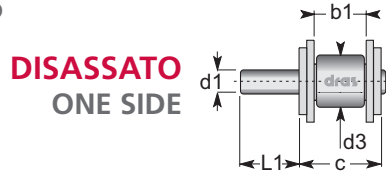
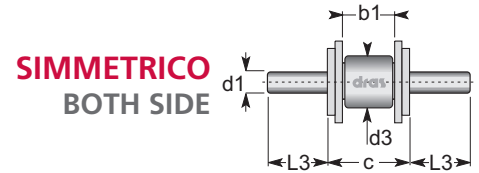


CATENE A PERNI SPORGENTI

EXTENDED PINS CHAINS



DISASSATO
ONE SIDE



SIMMETRICO
BOTH SIDE

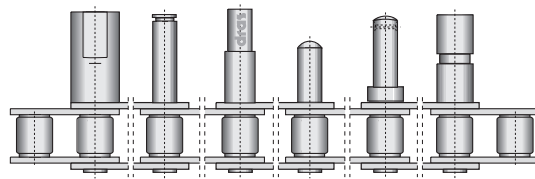
COD	p	d3	b1	c	L1*	L3*	d1	CR
06B1	3/8"	6,35	5,77	10,94	11,30-21,50	5,90-11,00	3,28	9,00
08B1	1/2"	8,51	7,75	14,33	3,60 - 15,30 - 29,30	2,25-8,10-15,10	4,45	18,20
10B1	5/8"	10,16	9,65	16,95	4,75 - 11,10 - 17,80 - 20,85 - 24,80 - 34,30 - 38,95	2,87-6,0-9,40-10,90-12,90-17,60-19,97	5,08	23,00
12B1	3/4"	12,07	11,68	19,70	10,30 - 14,0 - 20,90 - 40,50	5,75 - 7,60 - 11,0 - 20,80	5,72	30,50
16B1	1"	15,88	17,02	31,90	21,70 - 34,50 - 66,40	11,65 - 18,0 - 34,0	8,28	66,00
20B1	1" 1/4	19,05	19,56	36,90	41,0 - 77,40	21,40 - 39,60	10,19	105,00
24B1	1" 1/2	25,40	25,40	49,10	50,70 - 99,10	26,50 - 50,50	14,63	180,00
28B1	1" 3/4	27,94	30,99	60,70	61,90 - 121,70	32,0 - 62,0	15,90	235,00
32B1	2"	29,21	30,99	58,80	64,80 - 123,30	33,60 - 62,80	17,81	270,00
40B1	2" 1/2	39,37	38,10	73,00	78,90 - 151,20	41,0 - 77,0	22,89	400,00
48B1	3"	48,26	47,70	92,00	94,20 - 185	48,80 - 94,10	29,22	600,00

CR: Resistenza alla trazione minima (kN) / Resistance to minimum traction (kN)

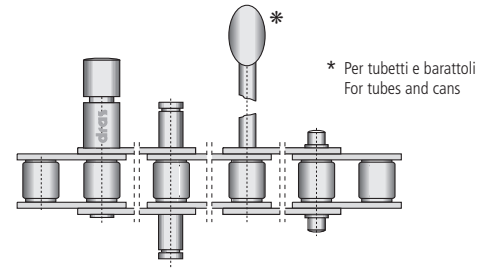
Le misure sono espresse in mm. / Dimensions are expressed in mm.

* Quote a richiesta / Dimension on request

ALTRE POSSIBILI APPLICAZIONI / OTHER POSSIBLE APPLICATIONS



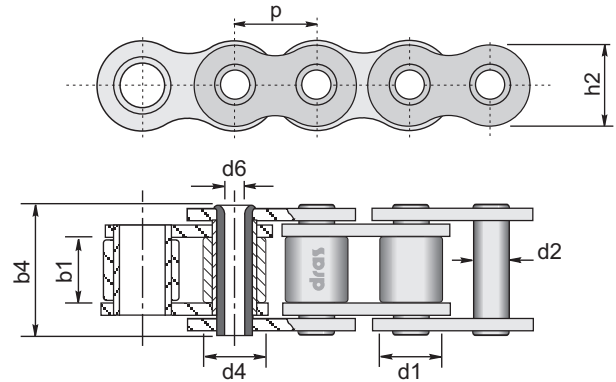
Esecuzione INOX a richiesta / On request INOX execution.



* Per tubetti e barattoli
For tubes and cans

CATENE A PERNI FORATI

HOLLOW PIN CHAINS



	COD.	p	d1	d4	b1	b4	d2	d6	h2	CR
CATENE SPECIALI	7 C40 ●	12,70	8,51	-	7,75	16,20	6,55	4,00	11,80	11,10
	7 C45 ●	12,70	8,51	-	7,75	16,20	6,55	4,50	11,80	11,10
	13 C	19,05	12,07	-	11,68	23,0	8,25	6,10	18,30	24,00
	80 C	25,40	15,88	-	15,75	32,40	11,58	8,05	24,00	45,00
CATENE INOX	5508-03	25,40	-	17,10	19,90	35,70	11,11	8,20	20,80	44,00
	5508-06	25,40	14,11	-	19,90	35,70	11,11	8,20	20,80	44,00
	A 55	41,75	-	17,10	19,90	35,70	11,11	8,20	21,65	26,50
	A 155 TS	41,75	-	17,10	19,90	35,70	11,11	8,20	25,26	49,00
	B 255	41,75	17,11	-	19,90	39,00	14,11	10,30	25,26	49,00
	ZC 50 B 50	50,80	22,51	-	19,90	46,60	17,10	12,50	32,00	90,00
	ZC 50 S 50	50,80	-	29,34	19,90	46,60	17,10	12,50	32,00	90,00
	ZC 50 B 60	60,00	22,51	-	19,90	46,60	17,10	12,50	32,00	90,00
	ZC 50 S 60	60,00	-	29,34	19,90	46,60	17,10	12,50	32,00	90,00
	S800	80,00	-	29,00	31,00	53,10	17,00	12,50	40,00	70,00
CATENE INOX	5508-01	25,40	14,11	-	16,20	32,00	11,30	8,30	20,80	15,00
	A 55-IN	41,75	-	17,10	19,90	35,70	11,11	8,20	21,65	17,60

CR: resistenza alla trazione (KN) / Breaking load (KN)

●: perni ribaditi

●: d1 bussola/bush

●: d4 rulli/roller

Le misure sono espresse in mm. / Dimensions are expressed in mm.