

COMPONENTI DI SOSTEGNO E LIVELLAMENTO

SUPPORTING AND LEVELLING ELEMENTS

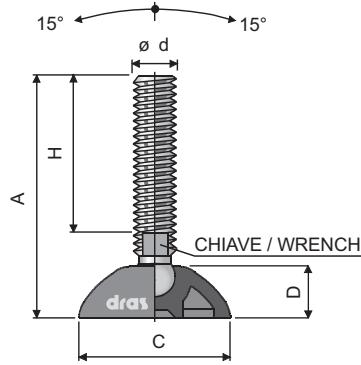
Piedi Snodati con chiave di registro su filetto / Articulated Feet

(Base in poliammide rinforzata - Base in reinforced polyamide)

Part. 10 Ø 40

Part. 15 Ø 50

Part. 18 Ø 60



C Ø 40
D 13



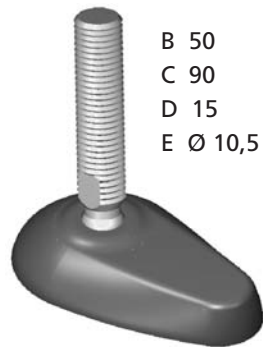
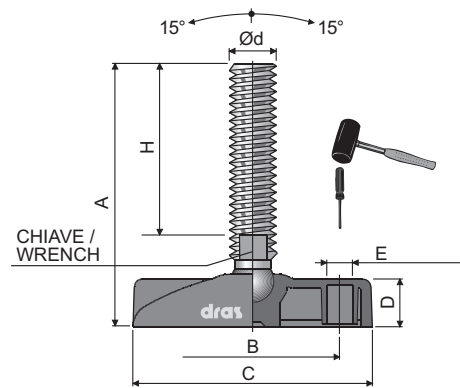
C Ø 50
D 13



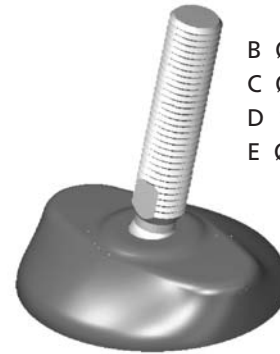
C Ø 60
D 17

Part. 27 60x95

Part. 25 Ø 80



B 50
C 90
D 15
E Ø 10,5



B Ø 54
C Ø 80
D 17,3
E Ø 9 n°2 a 180°

Ød	A	H	Chiave	CST max				
				Part. 10	Part. 15	Part. 18	Part. 27	Part. 25
M8	72	45	6					
	92	65	6	10000	11000	12000	12000	12000
	134	107	6					
M10	64	35	8					
	99	70	8	11000	12000	13000	13000	14000
	144	115	8					
M12	74	43	10					
	57	28	10					
	94	63	10	12000	13000	14000	14000	15000
	109	77	10					
	124	93	10					
M14	154	123	10					
	94	61	12					
	124	91	12	13000	14000	15000	15000	16000
M16	149	116	12					
	95	60	13					
	125	90	13					
	140	105	13					
	160	125	13			17000	17000	19000
M20	190	155	13					
	200	165	13					
	125	86	17					
	96	57	17					
	155	116	17			19000	19000	21000
M24	180	141	17					
	245	206	17					
	137	96	19					
	163	122	19					
	193	152	19					23000
M24	223	182	19					
	341	300	19					

CST: Carico statico (N)

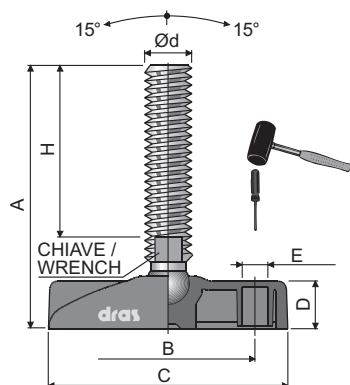
Le misure sono espresse in mm. / Dimensions are expressed in mm.

COMPONENTI DI SOSTEGNO E LIVELLAMENTO

SUPPORTING AND LEVELLING ELEMENTS

Piedi Snodati / Articulated Feet

(Base in poliammide rinforzata - Base in reinforced polyamide)



Part. 38 Ø 102



B Ø 74
C Ø 102
D 20,3
E Ø 10,5 n°2 a 180°

Part. 45 Ø 124



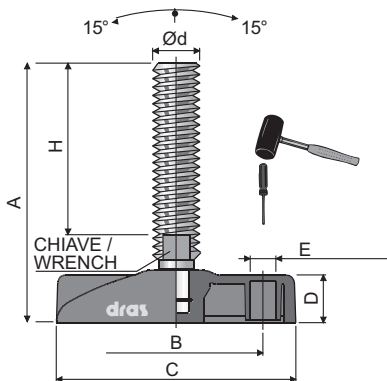
B Ø 94
C Ø 124
D 24,3
E Ø 10,5 n°2 a 180°

Ød	A	H	Chiave	CST
Part. 38				
M16	100	60	13	22000
	130	90	13	
	145	105	13	
	165	125	13	
	195	155	13	
M20	205	165	13	24000
	130	86	17	
	101	57	17	
	160	116	17	
M24	185	141	17	26000
	250	206	17	
	140	96	19	
	106	65	19	
	166	122	19	
M30	196	152	19	27000
	226	182	19	
	344	300	19	
	106	65	24	
	181	140	24	

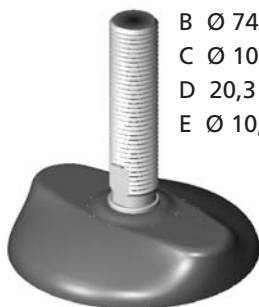
Ød	A	H	Chiave	CST
Part. 45				
M16	104	60	13	25000
	134	90	13	
	149	105	13	
	169	125	13	
	199	155	13	
	209	165	13	
M20	134	86	17	27000
	105	57	17	
	164	116	17	
	189	141	17	
	254	206	17	
M24	144	96	19	29000
	110	65	19	
	170	122	19	
	200	152	19	
	230	182	19	
M30	348	300	19	30000
	110	65	24	
	185	140	24	

Piedi orientabili / Articulated Feet

(Base in poliammide rinforzata - Base in reinforced polyamide)



Part. 87 Ø 102



B Ø 74
C Ø 102
D 20,3
E Ø 10,5 n°2 a 180°

Part. 89 Ø 124



B Ø 94
C Ø 124
D 240,3
E Ø 10,5 n°2 a 180°

Ød	A	H	Chiave	CST
Part. 87				
M16	98	58	13	33000
	159	119	13	
	185	145	13	
	241	201	13	
M20	150	107	17	35000
	178	135	17	
	200	157	17	
M24	136	90	19	37000
	173	127	19	
	208	162	19	

Ød	A	H	Chiave	CST
Part. 89				
M16	100	58	13	43000
	161	119	13	
	187	145	13	
	243	201	13	
M20	152	107	17	45000
	180	135	17	
	202	157	17	
	138	90	19	
M24	175	127	19	47000
	210	162	19	
	173	125	24	
M30	233	185	24	50000

CST: Carico statico max (N)

Le misure sono espresse in mm. / Dimensions are expressed in mm.