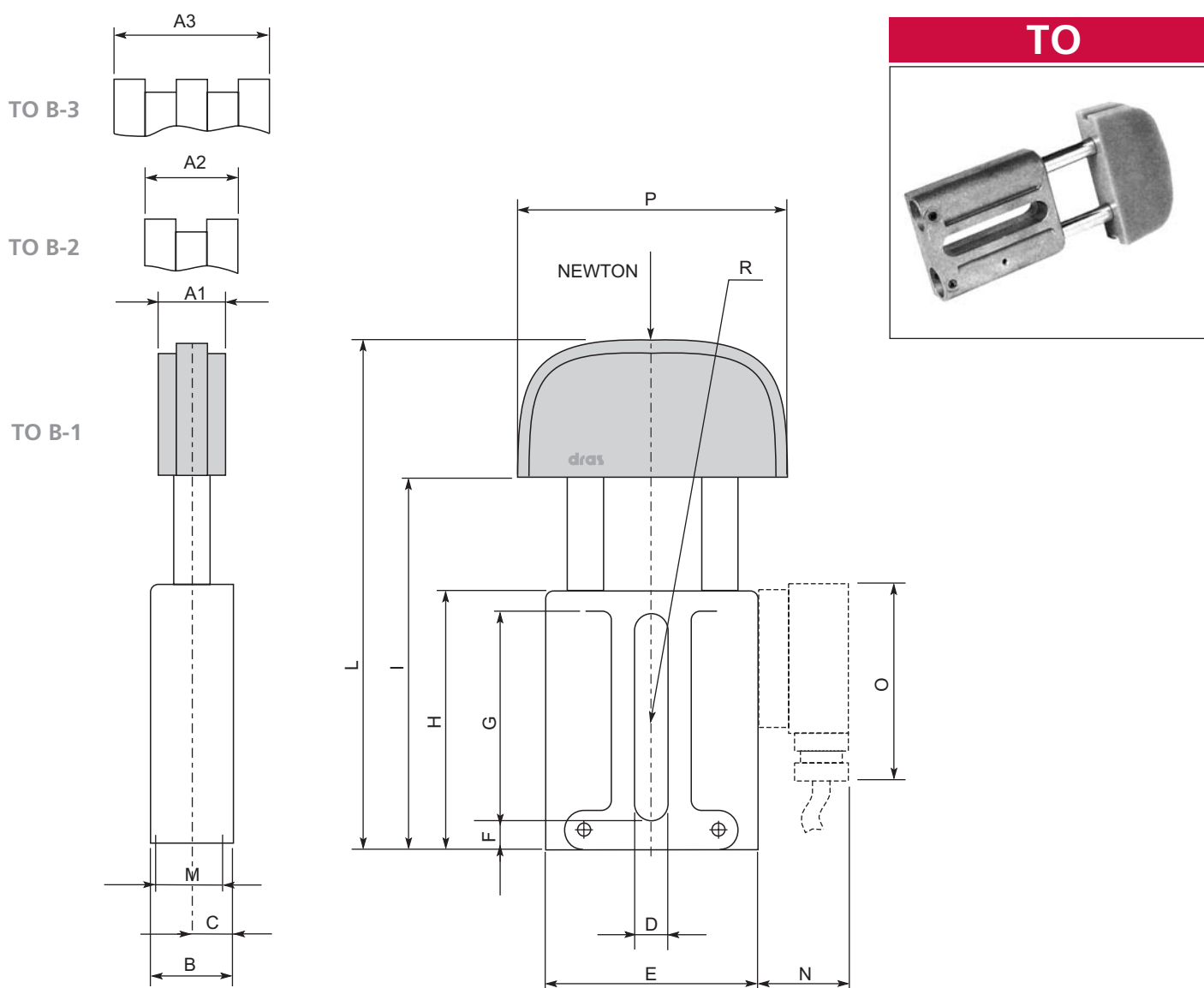


TENDITORI AUTOMATICI Serie TO

AUTOMATIC TENSIONERS - TO Series



COD	Newton		p	A ₁	A ₂	A ₃	B	C	D	E	F	G	H	I	L	M	N	O	P	R
	Min.	Max																		
*TO-05-3/8"	95	190	3/8"x7/32"	20	-	-	23	12,5	9	60	10	53	75	120	149	-	-	-	70	100
*TO-05-1/2"	95	190	1/2"x5/16"	20	-	-	23	12,5	9	60	10	53	75	120	149	-	-	-	70	100
TO-1-3/8"	130	250	3/8"x7/32"	20	20	25	23	12,5	11	56,2	7	58	74	110	138	-	-	-	70	100
TO-1-1/2"	130	250	1/2"x5/16"	20	20	35	23	12,5	11	56,2	7	58	74	110	138	-	-	-	70	100
TO-1-5/8"	130	250	5/8"x3/8"	20	25	41,5	23	12,5	11	56,2	7	58	74	110	138	-	-	-	70	100
TO-2-5/8"	180	420	5/8"x3/8"	22	25	41,5	28	15	12,5	70,5	9	70	87	133	169	-	-	-	90	120
TO-2-3/4"	180	420	3/4"x7/16"	22	30	49	28	15	12,5	70,5	9	70	87	133	169	-	-	-	90	120
TO-3-1	300	650	1"x17mm	25	45	78	33	17,5	14,5	82	9	86	104	160	202	21	35	70	110	140
TO-3-1" 1/4	300	650	1"1/4x3/4"	25	54	90	33	17,5	14,5	82	9	86	104	160	202	21	35	70	110	140
TO-3-1" 1/2	300	650	1"1/2x1"	25	71	119	33	17,5	14,5	82	9	86	104	160	202	21	35	70	110	140

* Versione in materiale plastico / Plastic version

Le misure sono espresse in mm. / Dimensions are expressed in mm.