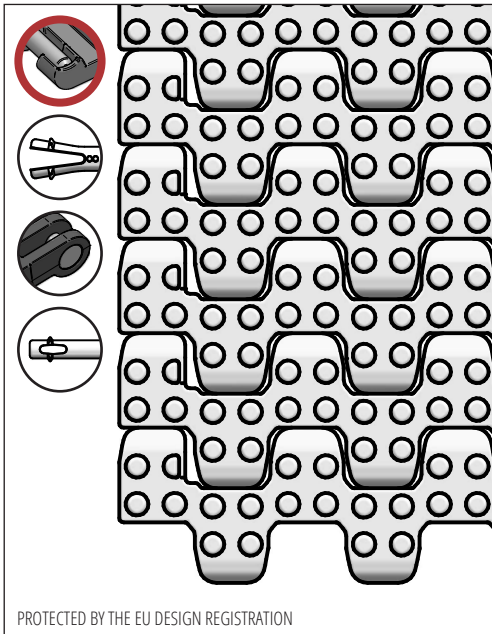


S.12-438

Ideal for poultry, meat and seafood industry
Cooling belt for small (14 mm) nose bar.
FDA approved



SCANBELT
...keeping industry moving...



PROTECTED BY THE EU DESIGN REGISTRATION

SUGGESTED INDUSTRIES



STANDARD FEATURES

Belt surface	Structure top with 1,5 mm nubs
Open area	Closed
Strength	Ideal choice for light transportation
Cleanability	Excellent. FSIS
Standard width	Increments of 20 mm, e.g. 100 mm, 120 mm etc.
Also available as	Module with 40 mm indent

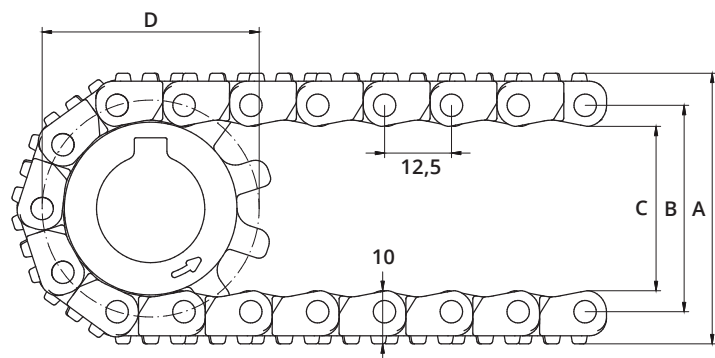
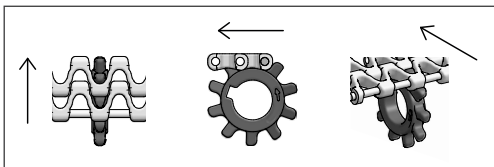
BELT DATA

Belt materials	Temperature range		Max. belt pull kg/m of width	Belt weight kg/m ²	Belt weight kg/m ² w. steel rods	Standard Colours
	Min.	Max.				
PE	- 73	66	600	4,5	12	Blue/Natural
PP	+ 5	100	800	4,5	12	Blue/White/Grey
POM	- 43	95	1450	6	13,5	Blue/Natural

ACCESSORIES

Type	mm
Flights	25
Scoop Flights	-
Bent Flights	-
Supported Flights	-
Flights fitted with a Round Top	Yes
Side Guards	-
Friction Top	Yes
Hold-downs	-

SPROCKET ENGAGEMENT



SPROCKET DATA

A = Outside, B = Pitch, C = Inside, D = Pitch Circle Diameter

No. Teeth	A	B	C	D	Hub Width	Round Bore		Square Bore	
	mm	mm	mm	mm		mm	Inch	mm	Inch
10	50	38	30	41	8	20	¾		
19	85	73	65	76	12	20 / 25 / 30 / 40	1	25 / 40	1½
24	105	93	85	96	12	20 / 25 / 30 / 40	1	25 / 40	1½
28	125	113	105	115	12	20 / 25 / 30 / 40	1	25 / 40	1½